

Schnorr® Type S Serrated Safety Washer

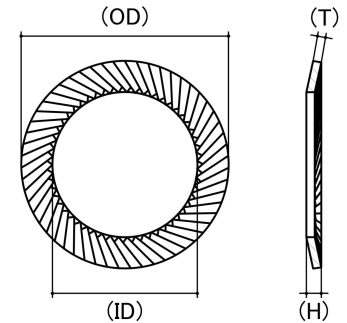
Material: Stainless Steel

Class Grade: A2-70 G304

Corrosion Protection Level: Excellent

Standard: DIN EN 10132-4

System Of Measurement: Metric



*CAD drawings shown for graphic representation only.**

Industry Size	Inside Dimension (ID) (mm)		Outside Dimension (OD) (mm)		Thickness (T) (mm)		Unloaded Washer Height (H) (mm)		Oem Part Number	sku (qfind)
	Min	Max	Min	Max	Min	Max	Min	Max	Nom	
M5 x 9 x 0.7	5.30	5.50	8.70	9.00	0.70	0.80	1.00	1.20	416 100	71SWS59
M6 x 10 x 0.7	6.40	6.60	9.70	10.00	0.70	0.80	1.00	1.20	417 900	71SWS610
M8 x 13 x 1	8.40	8.60	12.70	13.00	0.95	1.05	1.40	1.60	422 700	71SWS813
M10 x 16 x 1	10.50	10.70	15.70	16.00	1.00	1.10	1.60	1.85	424 900	71SWS1016
M12 x 18 x 1.3	13.00	13.30	17.70	18.00	1.25	1.35	1.75	1.95	427 600	71SWS1218
M16 x 24 x 1.5	17.00	17.30	23.70	24.00	1.50	1.60	2.05	2.25	432 200	71SWS1624

Disclaimer:

Dimensional data and technical information was obtained from publicly available sources and not acquired through standard agencies. It has been completed and compiled for reference purposes only; where discrepancies are found they are subject to change without notice. Bolt & Nut Australia makes no warranties or representations regarding the accuracy and validity of the compiled information and data. Contact the relevant standard authorities for accurate and detailed information.

* CAD drawings may not reflect diameter, thread length or overall length.

© Bolt & Nut Australia Pty Ltd. All rights reserved.

Version: 18 Mar 2024